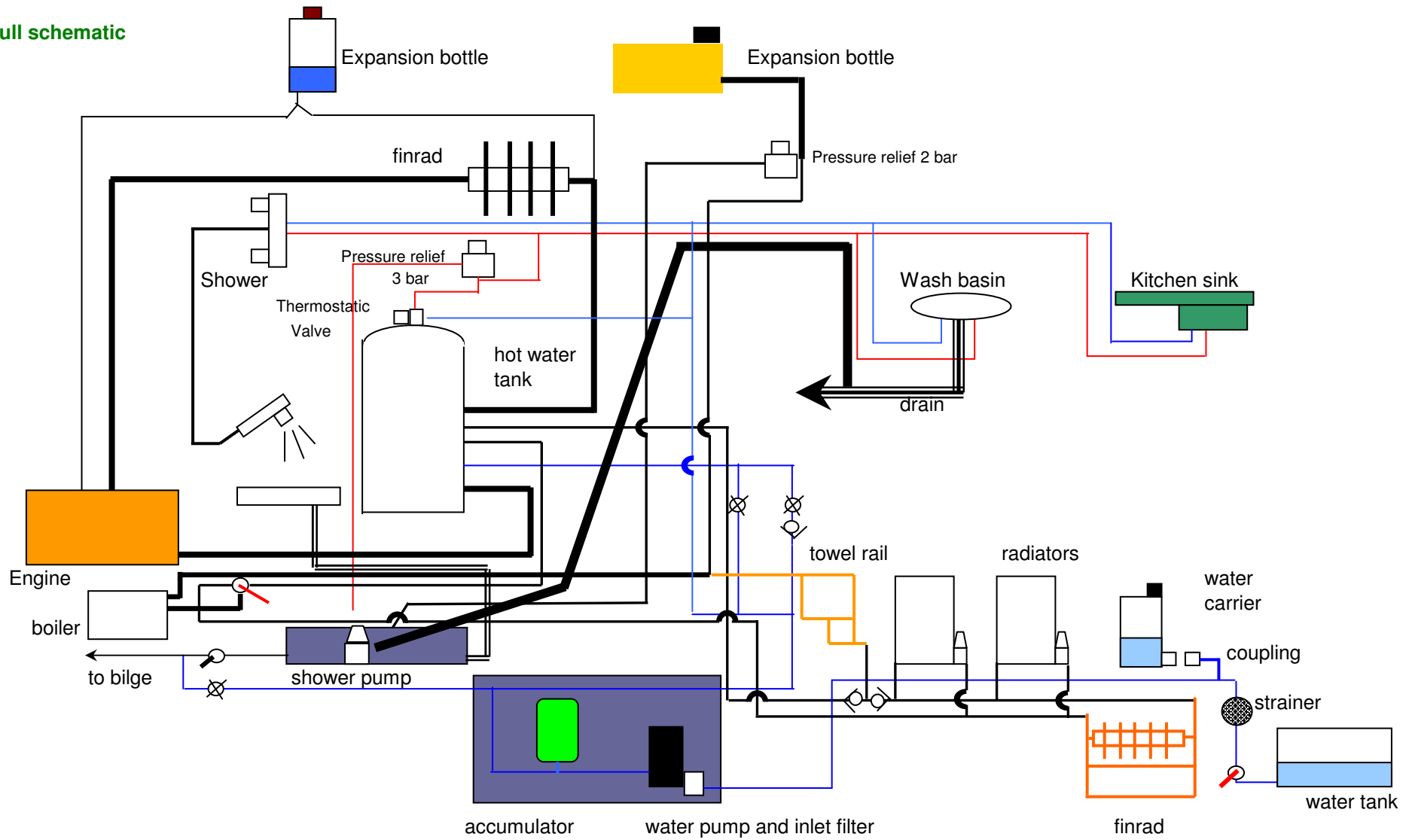
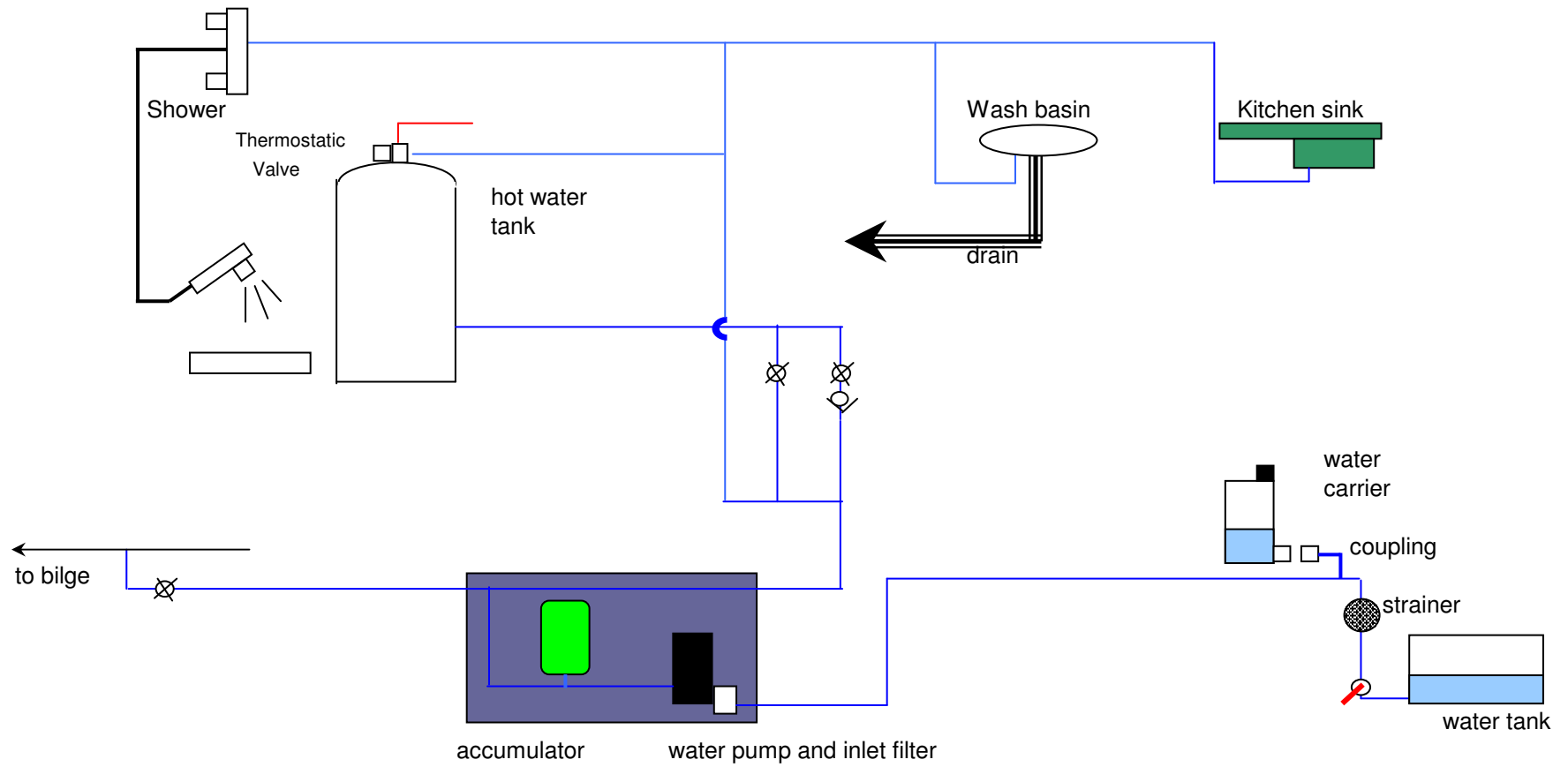


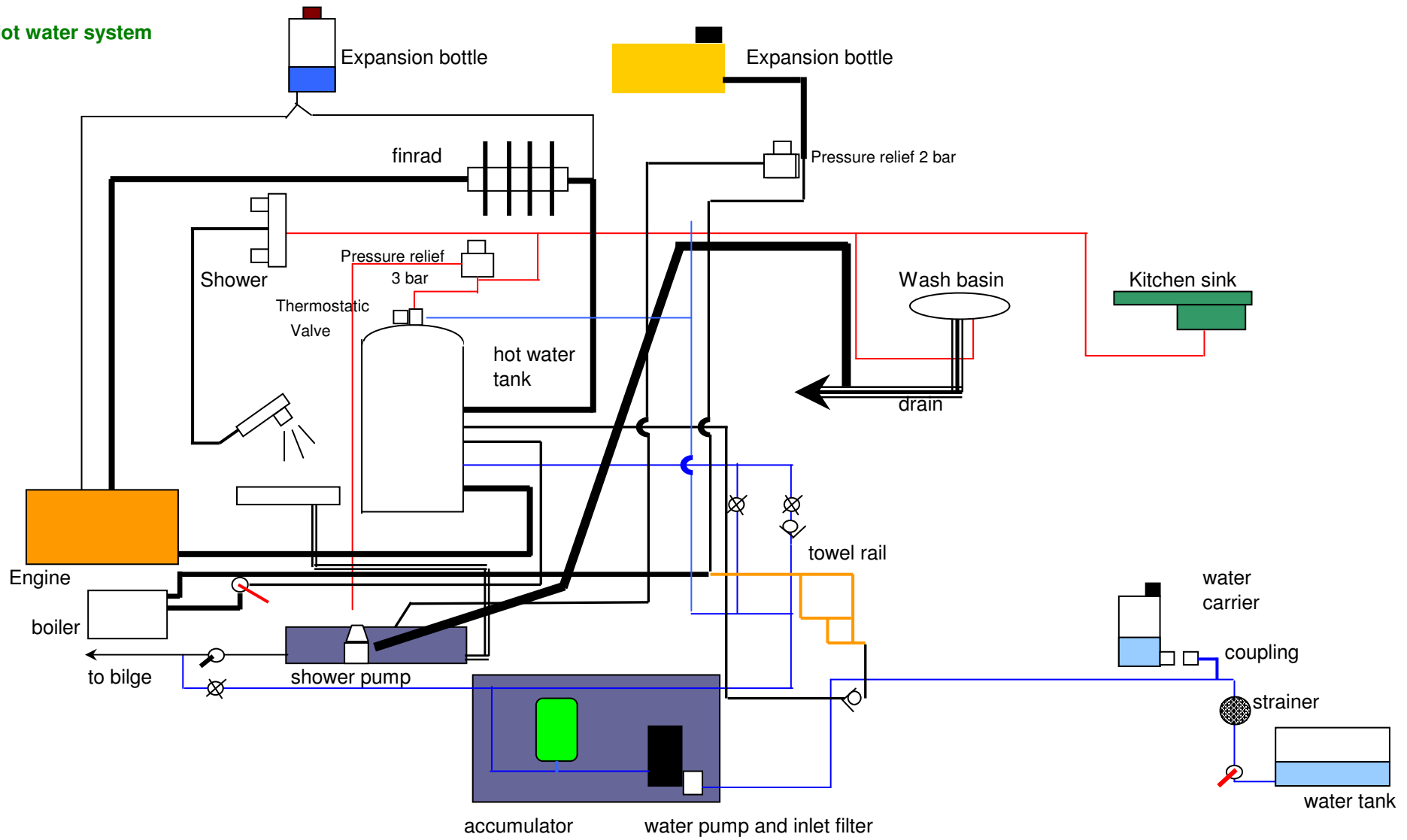
Full schematic



## Cold water system



Hot water system



Central heating system

